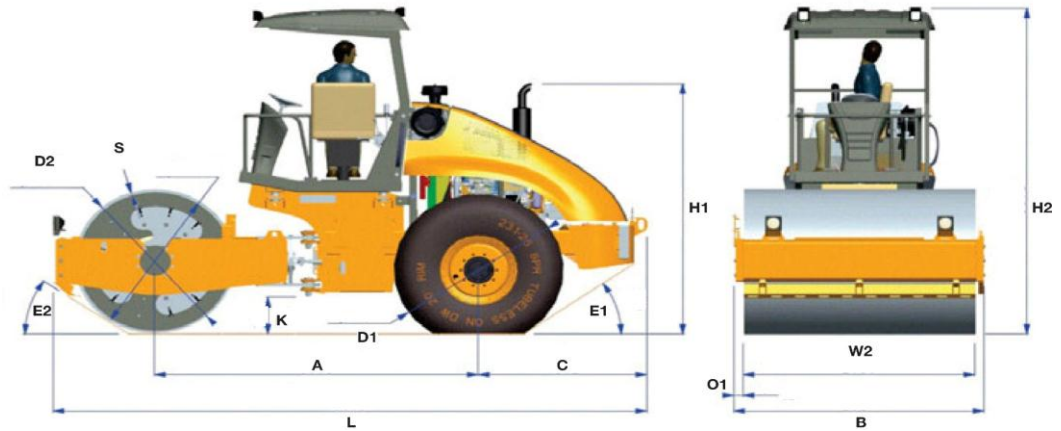


1107 EX SPECIFICATIONS



GENERAL DIMENSIONS



COMPACTER characteristics

Working speed	km/h	5.5
Travel speed	km/h	11.5
Gradeability with drum drive	%	26
Steering angle	°	37

Operating weight	kg	11030
Front axle load	kg	6333
Rear axle load	kg	4697
Static linear load front	kg/cm	30

D1 Diameter of rear tyres	mm	1528
D2 Diameter of drum	mm	1500
W2 Overall width of drum	mm	2150
Drum shell thickness	mm	32

Rear departure angle	°	36
Front departure angle	°	35

TYRES Rear 23.1/18-26 12PR

ENGINE 4 cylinder 3.9 litre Turbocharged

Maximum power @2200 rpm	hp	102
Maximum torque @1300 rpm	Nm	458

HYDRAULICS

Maximum flow	l/m	115
Maximum pressure	rpm	240

VIBRATION SYSTEM

Vibration Stage		1	2
Frequency	Hz	31	34
Amplitude	mm	1.8	0.8
Centrifugal force	kg	26887	14888
Max. applied force	kg	33092	21093

SERVICE CAPACITIES

Fuel tank	l	235
Cooling system	l	15
Hydraulic oil tank	l	70